



*Torin*  
**BLACK JACK®**  
**OWNER'S MANUAL**  
**DOUBLE SAFETY JACK STANDS**

*Torin*  
**BLACK JACK®**

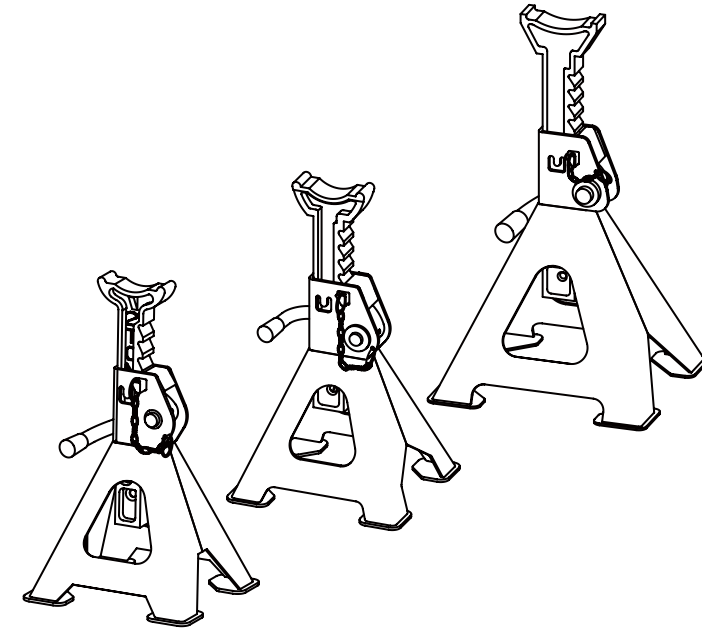
FOR CUSTOMER SERVICE

**1800 833 800**

Imported by

SJS Investment Pty Ltd

Bayswater WA 6053

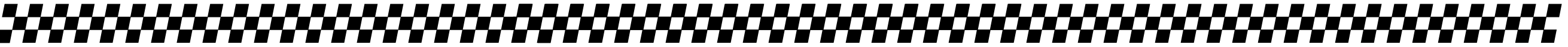


MODEL	BJ-10024JS	1500KG
MODEL	BJ-10034JS	2000KG
MODEL	BJ-10064JS	4000KG

Complies with Australian Standard  
 AS 2538:2016 Vehicle support stands

**CAUTION**

*Use vehicle support stands on a hard level surface, preferably concrete Use vehicle support stands in pairs  
 Check that no part of the underbody of the vehicle will foul as the stands are positioned  
 Check the unlifted wheels of the vehicle Ensure that the locking mechanism is fully engaged  
 Do not extend the height of the stand beyond its maximum working height*



## OPERATIONS

1. Be sure to bend the bar after inserting ratchet into frame to prevent ratchet from detaching out of the frame.
2. Put the jack stands on hard level ground.
3. Adjust height by pulling up on ratchet.
4. Position the load to the centre of the saddle and slowly lower the vehicle on to the jack stands.
5. Secure ratchet by turning the locking handle to hold the load. Make sure the safety pin has been securely inserted.
6. Release safety pin and locking handle to let the ratchet slide down to the lowest position when storing the jack stand.
7. If the operator is not fluent in English, the product and safety instructions shall be read to and discussed with the operator in the operator's native language by the purchaser/owner or his designer, making sure that operator comprehends their contents.
8. Inspect the jack stands before each use . DO NOT USE IF BENT, BROKEN OR A CRACKED COMPONENT HAS BEEN NOTED. Prevent corrosion by cleaning as needed and wipe with a oily cloth also keep in dry area when not in use.

## BEFORE USE

1. Visual inspection shall be performed before each use of the stand by checking abnormal condition, such as cracked welds, leaks and damaged, loose, or missing parts. If stand is believed to have been subjected to abnormal load or shock inspection shall be made by authorized repair facility.
2. Equipment that appears damaged, worn or operates abnormally shall be removed from service until repair.
3. Repair should be made by an Authorized repair facility. Annual inspection of the stand is recommended and should be made by the manufacturer or the supplier's authorized repair facility to ensure that your jack stand is in optimum condition and that the stand has correct decals and safety labels specified by the manufacturer.

## INSTRUCTIONS

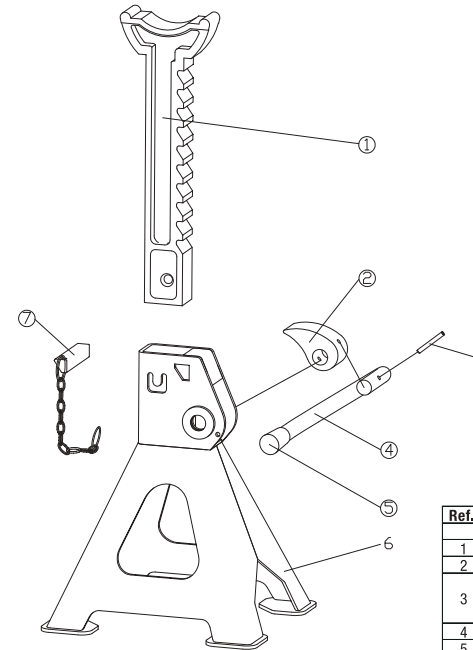
1. Confirm that the load to be applied does not exceed the working load limit of the vehicle support stands.
2. Conduct a pre-operational check of the equipment.
3. Use vehicle support stands on a hard level surface, preferably concrete.
4. Use vehicle support stands in pairs.
5. Check that no part of the underbody of the vehicle will foul as the stands are positioned
6. Ensure that each stand is securely located under a strong point of the vehicle. Consult the vehicle manufacturer's manual for guidance.
7. Ensure that the locking mechanism is fully engaged
8. Chock the unlifted wheels of the vehicle.
9. Do not extend the height of the stand beyond its maximum working height, nor use any item such as bricks or timber to support the vehicle.

\* Any modifications must not be carried out or accessories added.

## SPECIFICATIONS

Model	BJ-10024JS	BJ-10034JS	BJ-10064JS
Working Load Limit	1500kg	2000kg	4000kg
Max. Working Height	400mm	434mm	613mm
Height Lowerd	280mm	295mm	392mm

## PARTS LIST



Ref.	Description			Qty
	BJ-10024JS	BJ-10034JS	BJ-10064JS	
1			Ratchet bar	1
2			Locking pawl	1
3	Spring pin Ø 4x25mm	Spring pin Ø 4x30mm	Spring pin Ø 4x30mm	1
4			Locking handle	1
5			Handle sleeve	1
6			Base frame	1
7			Safety pin assembly	1

## WARNING!

**WARNING! Use only in pairs and on hard level surfaces (eg Concrete), ensuring the stand is positioned under a solid portion of the vehicle.**