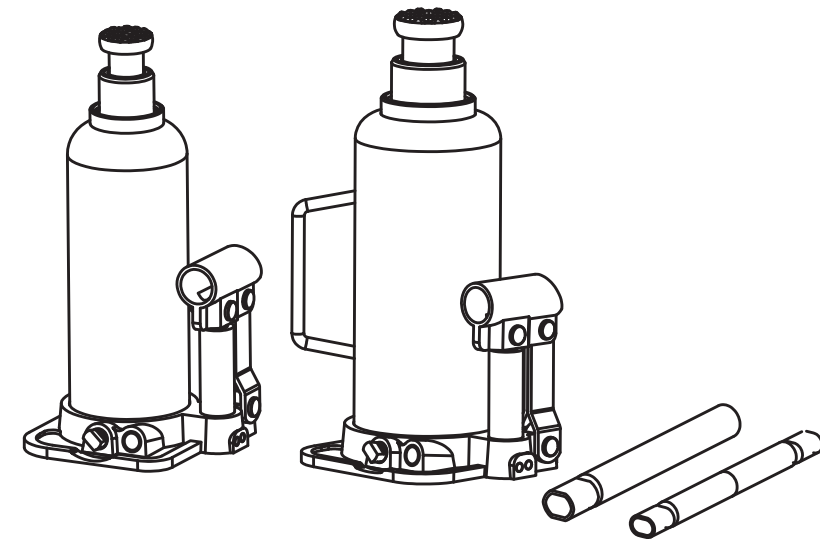




Torin
BLACK JACK[®]
OWNER'S MANUAL
HYDRAULIC BOTTLE JACK



FOR CUSTOMER SERVICE
1800 833 800

Imported by
 SJS Investment Pty Ltd
 Bayswater WA6053



MODEL	BJ-2000VJ	2000KG
MODEL	BJ-4000VJ	4000KG
MODEL	BJ-6000VJ	6000KG
MODEL	BJ-8000VJ	8000KG
MODEL	BJ-10000VJ	10000KG
MODEL	BJ-15000VJ	15000KG
MODEL	BJ-20000VJ	20000KG

This jack complies with mandatory Australian/New Zealand Standards
 AZ/NZS 2693:2007

CAUTION

This jack is designed for lifting purposes only. Please read the enclosed instructions for safe and correct operating procedures



SPECIFICATIONS

Model No.	BJ-2000VJ	BJ-4000VJ	BJ-6000VJ	BJ-8000VJ	BJ-10000VJ	BJ-15000VJ	BJ-20000VJ
Working Load Limit	2000kg	4000kg	6000kg	8000kg	10000kg	15000kg	20000kg
Height Raised	339mm	407mm	440mm	465mm	460mm	450mm	430mm
Height Lowered	175mm	210mm	225mm	230mm	230mm	230mm	260mm

OPERATIONS

To Raise Jack

- Turn the operating handle clockwise until the release valve closes. Do not over tighten the valve.
- Place jack directly under the object to be lifted so that the saddle takes up weight firmly and centrally. Pump handle until saddle takes a slight amount of weight. Check positioning under slight load to make sure jack will not slip.
- Continue pumping and raise jack to required height. When lift completed, place jack stands in position. This is critical as the load may be knocked and therefore move the hydraulic jack from a safe position.

To Lower Jack

- Slowly turn the operating handle counter clockwise. The speed of lowering is controlled by the amount the valve is opened, which is controlled by the handle.

ROUTINE MAINTENANCE

1. Optimum temperature operation -5°C~+45°C.
2. Lubricating oil for operation is ISO68 Hydraulic Oil.
3. When in operation the load must be square on the jack to avoid damage to the jack on unstable raise.
4. Do not allow sudden release of load.
5. Store Jack in the upright position to ensure even storage of oil.
6. This product will operate with less efficiency and life span in a strong acidic or alkaline environment.

MAINTENANCE

1. Oil level must be maintained for satisfactory operation.
 - At an ambient temperature of 5 degrees Celsius use HJ machine oil (GB443-64).
 - At an ambient temperature of -5 degrees Celsius to -20 degrees Celsius use synthetic spindle oil (GB442-64).
 - **Stand the jack in vertical position and check until the oil is level with the bottom of the filler hole.**
2. Violent shocks must be avoided in course of operation.
3. Store Jack in the fully lowered position, in a place free of dirt.
4. Inspect Jack at regular intervals to check for changes that may affect the operation.

TROUBLE SHOOTING

PROBLEM	POSSIBLE CAUSE	ACTION
Jack will not lift to full height	Low oil level	Check oil level
Jack will not hold load	Release valve not closing Hydraulic jack oil contaminated Pump valves not sealing Cylinder ram binding	Call customer service
Lift arm will not lower	Cylinder ram binding Parts worn Internal damage Broken return spring or unhooked Lift arm linkage bent or binding	Call customer service
Jack feels spongy when lifting	See Air Purge section	See Air Purge procedure

BEFORE USE

Often during shipment and handling air enters the hydraulic system, causing poor performance.

To clear this problem, prior to operation purge air from the system by fully opening release valve, turn handle counter clockwise then, while holding the saddle down, operate pump handle rapidly several times.

SAFE USAGE INSTRUCTIONS:

1. The jack should be used on level firm ground where ever possible.
2. It is recommended that the wheels of the vehicle be chocked and no person remain in a vehicle that is being jacked.
3. No person should place any portion of their body under a vehicle that is supported only by a jack: use vehicle support stands.
4. The vehicle owner's manual should be consulted prior to the jacking of the vehicle.

WARNING!

WARNING: DO NOT GET UNDER A VEHICLE THAT IS SUPPORTED ONLY BY A JACK. USE VEHICLE SUPPORT STANDS

FIGURE 1 - Typical Bottle Jack

