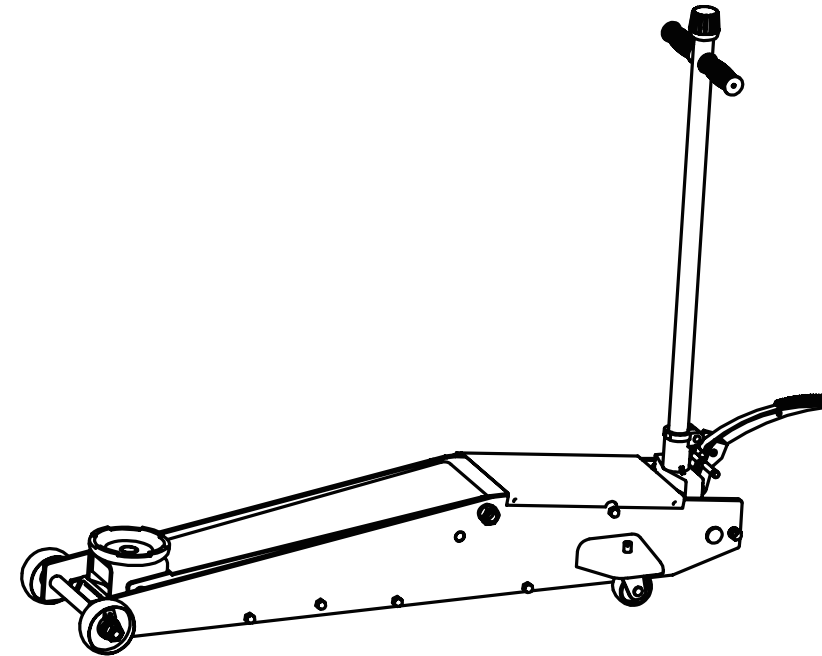


**PARTS LIST**

Item No.	Description	Item No.	Description
1	nut M16	44	O-ring
2	lock washer 16	45	snap ring
3	washer 16	46	ball
4	front wheel	47	nut M10X1
5	sleeve	48	ball
6	left wallboard	49	valve seat
7	shaft	50	spring
8	Right wallboard	51	O-ring
9	shaft	52	screw
10	lock washer 8	53	dust cover
11	nut M8	54	spring
12	nut M18	55	spring
13	lock washer 18	56	shaft
14	nut M12	57	snap ring 26
15	lock washer 12	58	nut M10
16	washer 12	59	Foot link
17	rear wheel	60	blot M10X60
18	nut M12	61	pedal
19	shaft	62	shaft
20	pin	63	washer 12
21	snap ring 16	64	pin
22	connection bar	65	nut M10
23	pin	66	lock washer 12
24	dust cover	67	washer 12
25	cylinder pump plunger	68	handle sleeve
26	O-ring	69	blot M10X50
27	sealing washer	70	convey rod
28	Y ring	71	handle
29	cylinder pump	72	handle sleeve
30	washer	73	knob
31	Sleeve	74	pin
32	spring	75	spring
33	ball	76	cover board
34	O-ring	77	pin
35	release vavle rod	78	oil cup
36	oil filler plug	79	shaft
37	oil cylinder ass'y	80	rod link
38	oil network	81	lifting parts
39	Y ring	82	shaft
40	sealing washer	83	shaft
41	piston ring	84	bracket
42	piston rod	85	saddle
43	piston ring		

*Torin*  
**BLACK JACK**®  
**OWNER'S MANUAL**



**Specifications:**

**Working Load Limit: 3000kg**  
**Height Lowered: 140mm**  
**Height Raised: 670mm**

**CAUTION**

This jack is designed for lifting purposes only. Please read the enclosed instructions for safe and correct operating procedures

*Torin*  
**BLACK JACK**®



FOR CUSTOMER SERVICE  
**1800 833 800**

Imported by  
 SJS Investment Pty Ltd  
 Bayswater WA6053

## Inspection

### Prior to Use

A visual inspection should be carried out to ensure jack is in good working order. Look for oil leaks, loose parts, weld cracks and that all necessary operating components are available.

### After Use

Check again as per no 1. Should the trolley jack be subjected to extreme loads or shock, it is recommended the product be sent to a recommended repairer via the manufacturer's representative. Store the trolley jack in a fully lowered position.

### Annual Inspection

An annual inspection is highly recommended and should be carried out by the manufacturer's or supplier's agent

## Operation

### To Raise Jack

- Turn the operating handle clockwise until the release valve closes. Do not over tighten the valve.
- Place jack directly under the object to be lifted so that the saddle takes up weight firmly and centrally. Pump handle until saddle takes a slight amount of weight. Check positioning under slight load to make sure jack will not slip.
- Continue pumping and raise jack to required height. When lift completed, place jack stands in position. This is critical as the load may shift/be knocked and therefore move the hydraulic jack from a safe position.

### To Lower Jack

- Slowly turn the operating handle counter clockwise. The speed of lowering is controlled by the amount the valve is opened, which is controlled by the handle.

## User Instruction

This hydraulic trolley jack is designed for use with a 120mm diameter head cap, and a handle length of 1133mm

## Maintenance Procedures

Hydraulic equipment requires correct oil. Check SAE rating which should be 10. Every 4 months, and more often with daily use, check hydraulic oil levels. Ensure when replacing oil that dirt or grit does not enter the system. This would affect the capacity of the jack. Replace oil through plug screw. Other moving exterior parts of the jack need regular oiling with a general lubricating oil. This should be carried out every 4 months, and more often with regular use. See diagram for oiling points

## WARNING

- The hydraulic trolley jack should be used on a hard level surface and be free to roll during lifting and lowering.
- The unlifted wheels of the vehicle should be chocked.
- The load should be centrally located on the head cap.
- No person should remain in a vehicle that is being lifted.
- The hydraulic trolley jack should be used for lifting and lowering only; the raised vehicle should be supported on vehicle support stands.
- No person should get bodily under a vehicle that is supported by a hydraulic trolley jack.
- The vehicle manufacturer owner's manual should be consulted prior to the lifting of the vehicle.
- Do not overload the jack beyond it's related capacity.
- Do not use jack as a towing object.
- Ensure all persons and equipment are clear when lowering the jack.
- Do not make alterations or changes to the structure of the jack.

## BEFORE USE

Often during shipment and handling air enters the hydraulic system, causing poor performance.

To clear this problem, prior to operation purge air from the system by fully opening release valve, turn handle counter clockwise then, while holding the saddle down, operate pump handle rapidly several times.

## PART LIST

